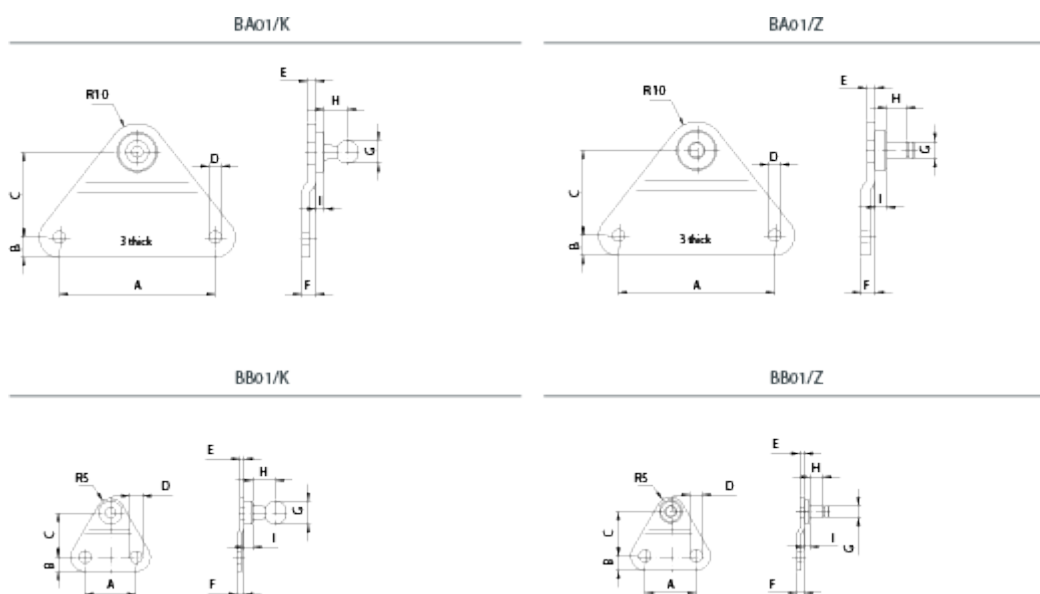


Article number: 04HBA01K10

Description: Stabilus Industry Line Side bracket, flat Steel
Type BA01K10 M10

Measures



A = 55

B = 7

C = 30

D = 5.3

E = 3

F = 5

G = 10

H = 8

I = 3

Stability = 800 N